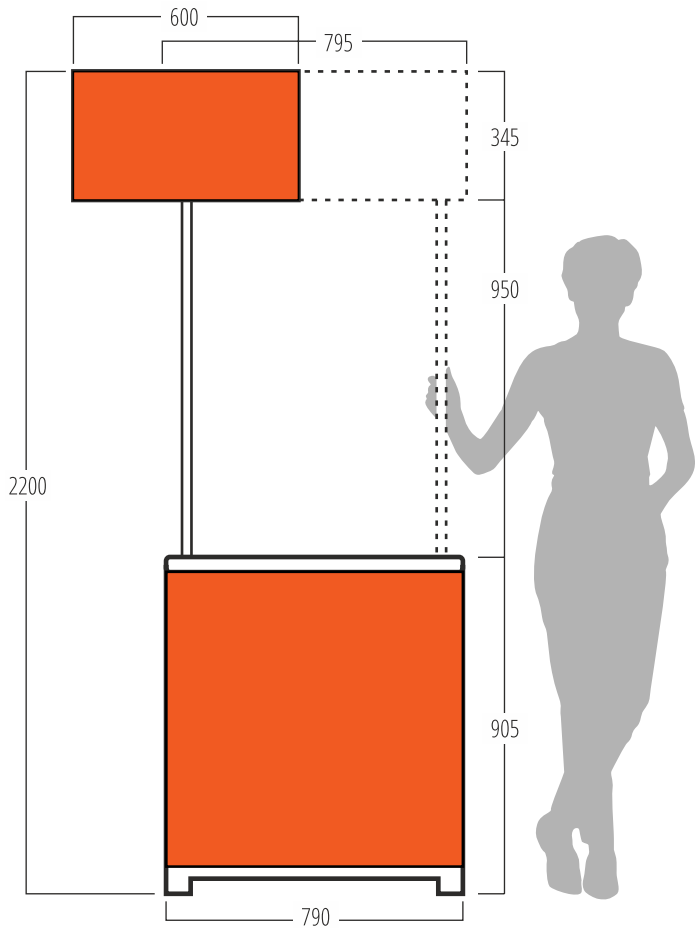


Weights in Kg

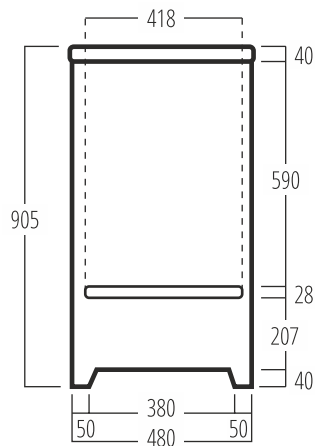
Rigid Top	1.52
Top	1.14
Shelf	1.12
Base Shelf	1.14
Body Panel	4.28
Pole Set (two pieces) L	1.00
Header	0.35
Bag	1.04

Packaging in Kg

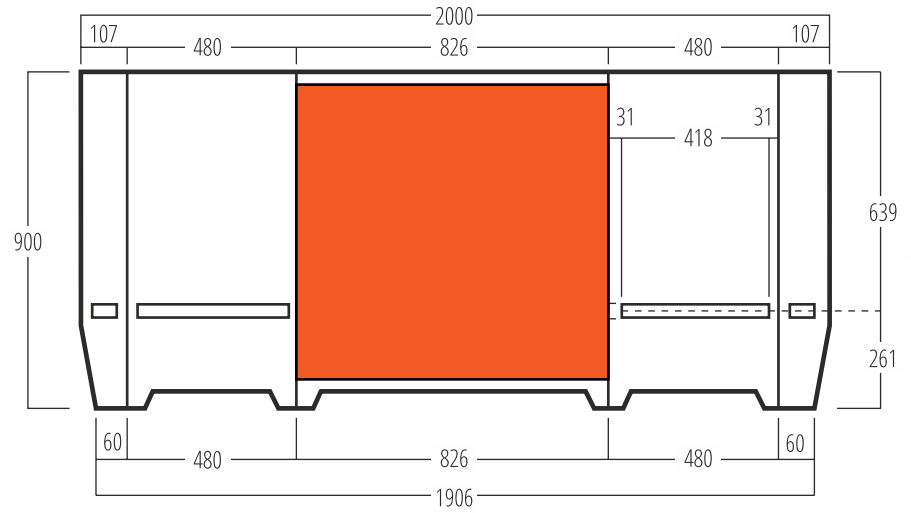
Individual reusable carton	1.88
External size: 925(w) x 845(d) x 82mm(h)	



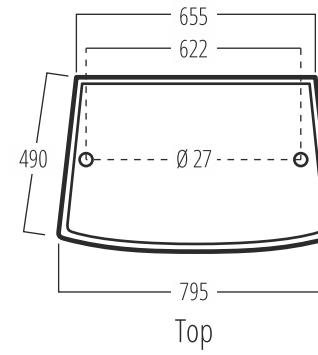
Unit and Header



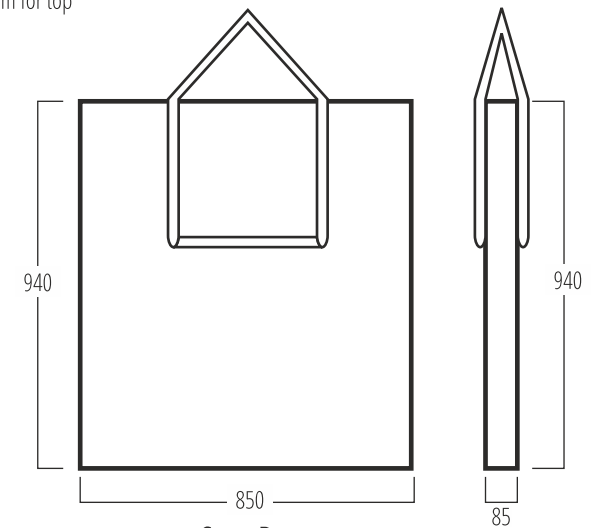
Side - Budget One Shelf



Graphic Size for One Shelf
Allow 35mm for top



Top



Carry Bag

Header Panel

Header Panel

Front Panel